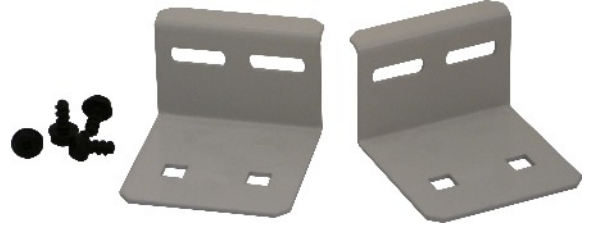


4210 Bolt down plate

SAFETY PRODUCT

Bolt down plates offer added security and stability to stop the cabinet from tipping. Good for use with top heavy cabinets and telescopic equipment.

Compatible with
USpace 4210 range



4210 bolt down plate

Technical data

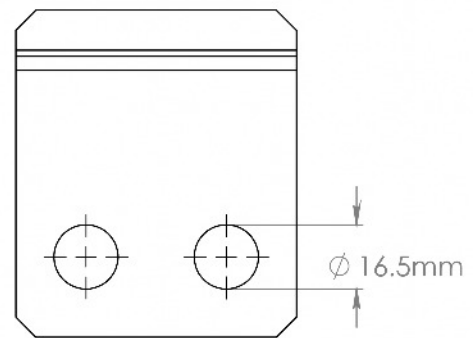
Bolt down plates

Part number	Description	Suit cabinet
DA5-2014-AA	Pair standard 4210 bolt down plates	4210
DA5-2012-AA	Pair extended 4210 bolt down plates	4210

Fixings

4 x Tough Torque screws

There are 4 x M16 fixing point for fitting to floor which are not supplied

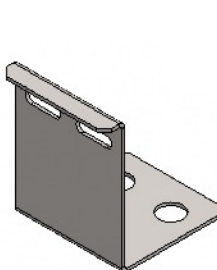
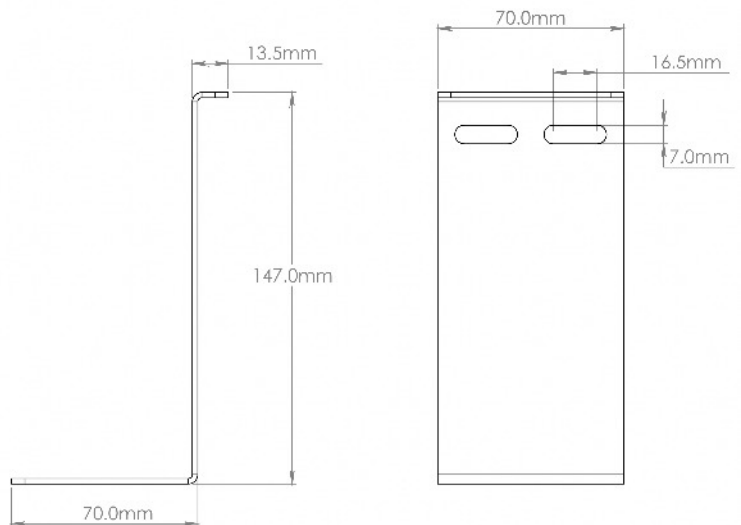


Materials and finish

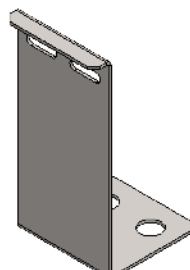
2.0mm CR4 steel

Textured powder coat light grey RAL 7035

(Other colour options are available on request)



Standard bolt down plate



Extended bolt down plate